

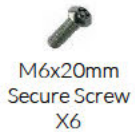
# Installation Instructions

## Surface Fixed

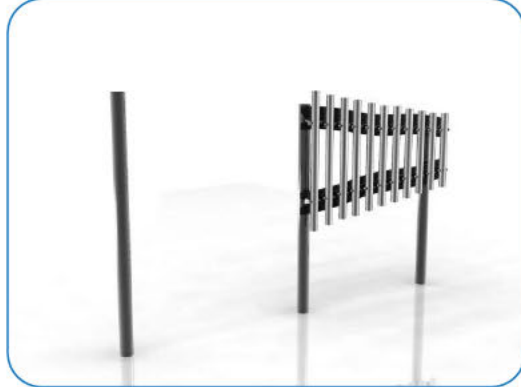
Freechimes  
Diatonic  
Symphony  
Page 1 of 3



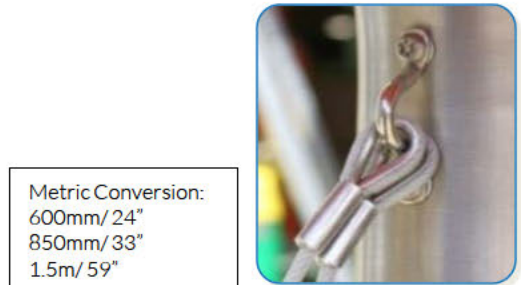
### Components:



1. Carefully lay 3 x legs on a level surface and check distance between each leg is equal. Join together the 2 parts of the symphony. Line up pre drilled holes in the backboards with the legs and ensure the instrument is aligned square with the legs. Fix in place using M8x40mm screws supplied (see installation guide)



2. Attach Surface Fixing posts to legs (See Surface Fix Post Installation Sheet)



Metric Conversion:  
600mm/ 24"  
850mm/ 33"  
1.5m/ 59"

Weight of heaviest part 18kg (Freechimes Left Panel)

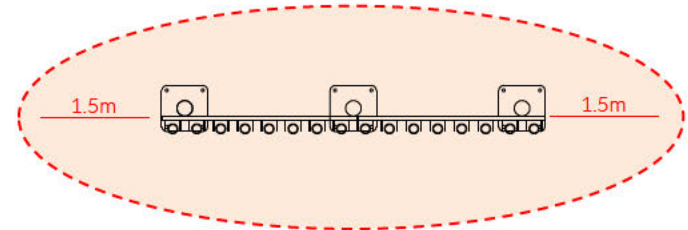
3. Locate Instrument in desired location and mark holes to fix to desired surface.

4. Fix Surface Plate to level surface using Coachscrews, Rawlbolts, chemical anchors or similar as deemed appropriate by Installer.

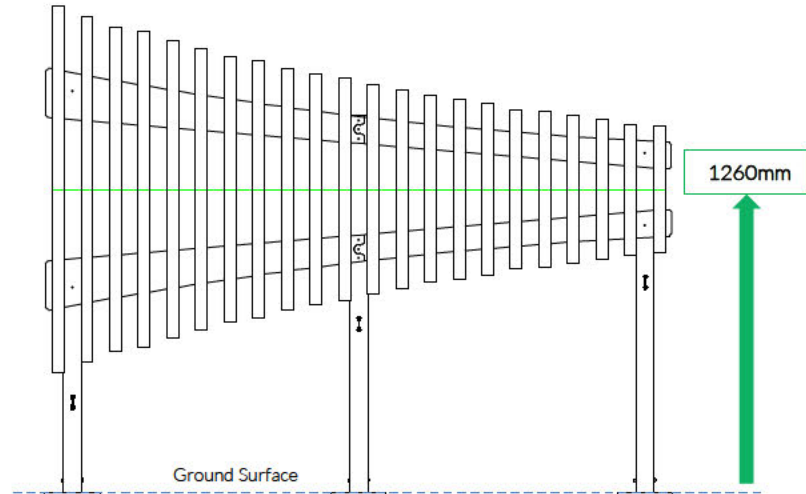
(It is your responsibility to ensure that the existing surface is suitable to receive the appropriate fixing)

5. Make sure all fixings are covered and secure using cover caps provided

6. Beaters can be fixed to Steel posts with fixings provided



Install Instrument with 1.5m free space (from widest point) around it.



Pair Large Red Beaters X2



Pair Small Beaters X1



Spares available from  
[percussionplay.com](http://percussionplay.com) or from your  
local distributor

30 Kg

**Tools:**

x1 TX 40 Driver Bit  
x1 TX 30 Driver Bit

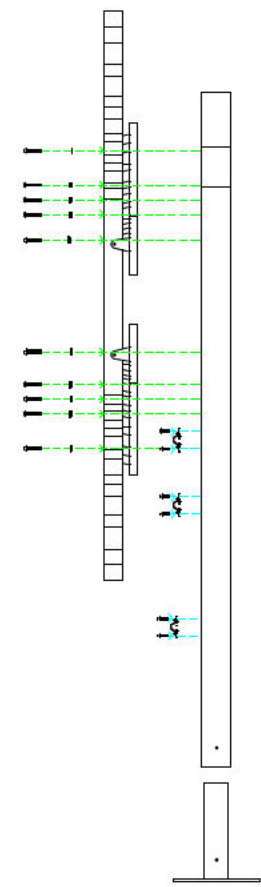
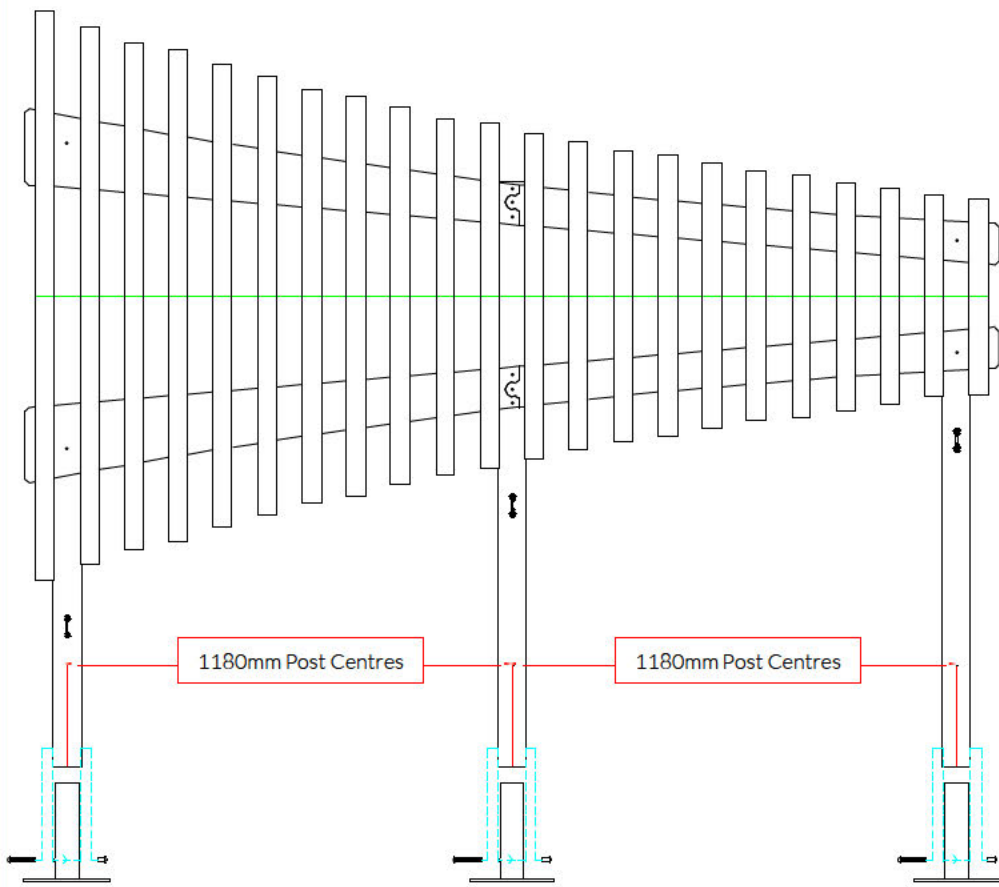
## Surface Fixed

Freechimes  
Diatonic  
Symphony  
Page 2 of 3

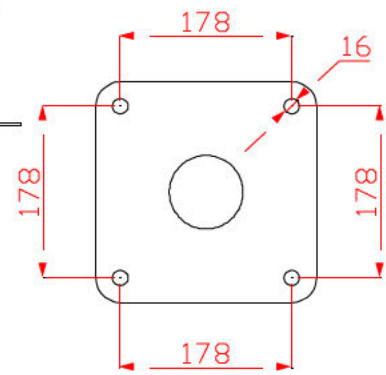


### Components:

- Eye Straps X3
- M6x20mm Secure Screw X6
- M8x40mm Secure Screw X10
- M8 Lock Washer X10



- COMPONENTS LIST:**
- Saddle Strap X3
  - M6x20 Pin torx X6
  - M8 Lock washer X10
  - M8x40 Pin torx X10
  - M10x70 Pin torx X3
  - M10 Barrel Nut Pin torx X3



Pair Large Red Beaters X2

Pair Small Beaters X1

Tools:

 x2  
 TX 45 Driver Bit

## Surface Fixed

Freechimes  
 Diatonic  
 Symphony  
 Page 3 of 3



## Components:

x3

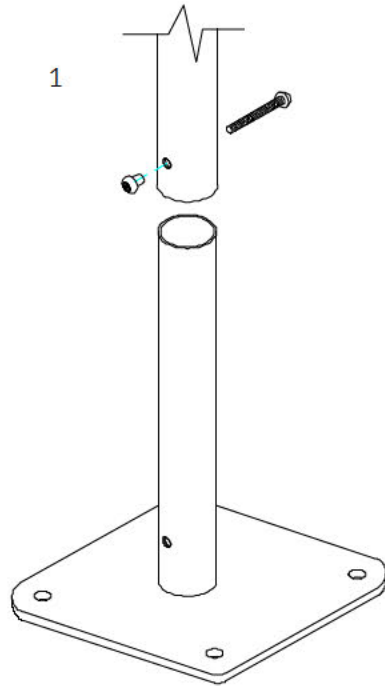
M10 Barrel Nut

x3

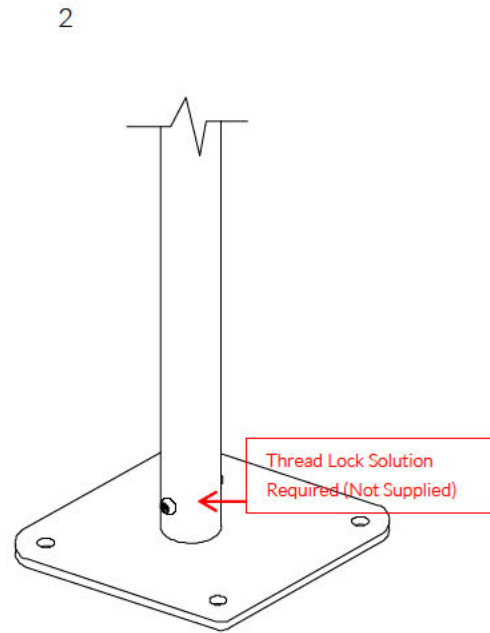
M10x70 Security Screw

x12

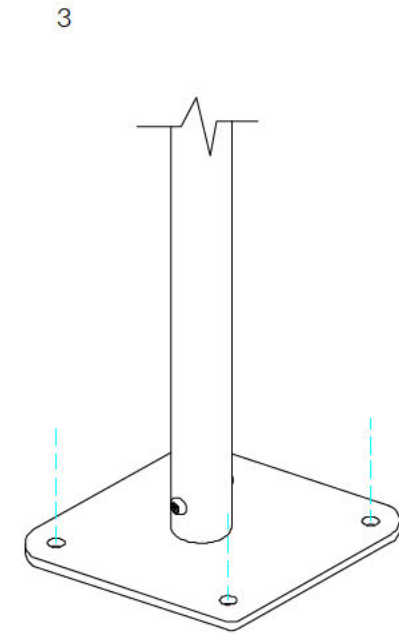
2 Part Cover Cap



Locate the Surface fix  
 Plate into the leg of the  
 instrument.



Fix instrument to Surface  
 fix plate using M10 bolt  
 and Barrel Nut and use  
**thread locking solution**  
 to prevent fixings working  
 loose.



Fix Surface Plate to the  
 ground surface **Ground  
Anchors Not provided**  
 cover fixings with caps  
 provided

Thread Lock Solution  
 Required (Not Supplied)



MADE IN  
BRITAIN

BSEN 1176